

**rosseto**  
SERVING SOLUTIONS

2016

Available exclusively from Gilberts



Buffet Equipment and Dispenser Solutions



# Hospitality



# Food Service



# Retail



# Design



# Quality



# Functionality



# Innovation



# DESIGN



- Overall aesthetic appeal
- Fits different environment styles
- Works with space limitations
- Beautiful products in unified themes

# DESIGN



- Adaptable: connects from different sides
- Modular and customisable

# DESIGN



- Building creative stations, small or large
- Achieving different looks with same products

# QUALITY

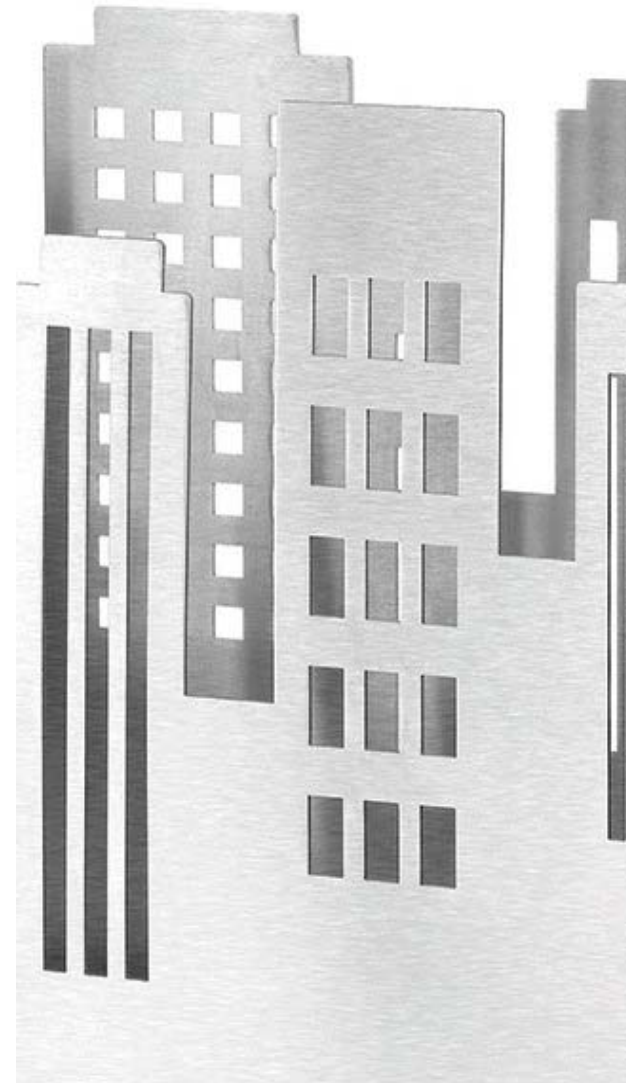


- Quick assembly and disassembly
- Durability is important
- Very sturdy, designed for long-term use
- Always fresh-looking, easy to maintain



# QUALITY

- Best available materials and technology
- Metals produced and crafted in the USA
- Heavy duty, thick gauges
- Lifetime-guaranteed welding
- Special fingerprint-proof coat





# QUALITY



- Crystal-clear high grade acrylics
- Natural, real bamboo material

# FUNCTIONALITY



- Maximizes space and inspires creativity
- Versatile pieces fulfill different purposes

# FUNCTIONALITY



- Integration across different categories
- Products with different functions relate seamlessly with each other



# FUNCTIONALITY



- Bi-annual new product launch
- Progressive design process
- Creating the future

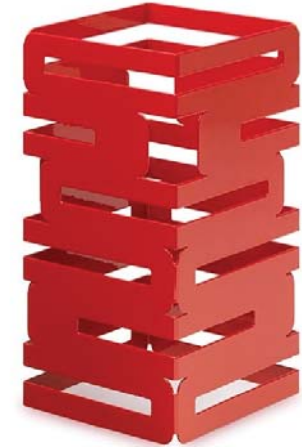
# FUNCTIONALITY



- Market need + potential for innovation  
= Beautiful, versatile Rosseto® products



# RISERS



- Multi-dimensional, elevated presentations
- To maximize space and display more food

# RISERS



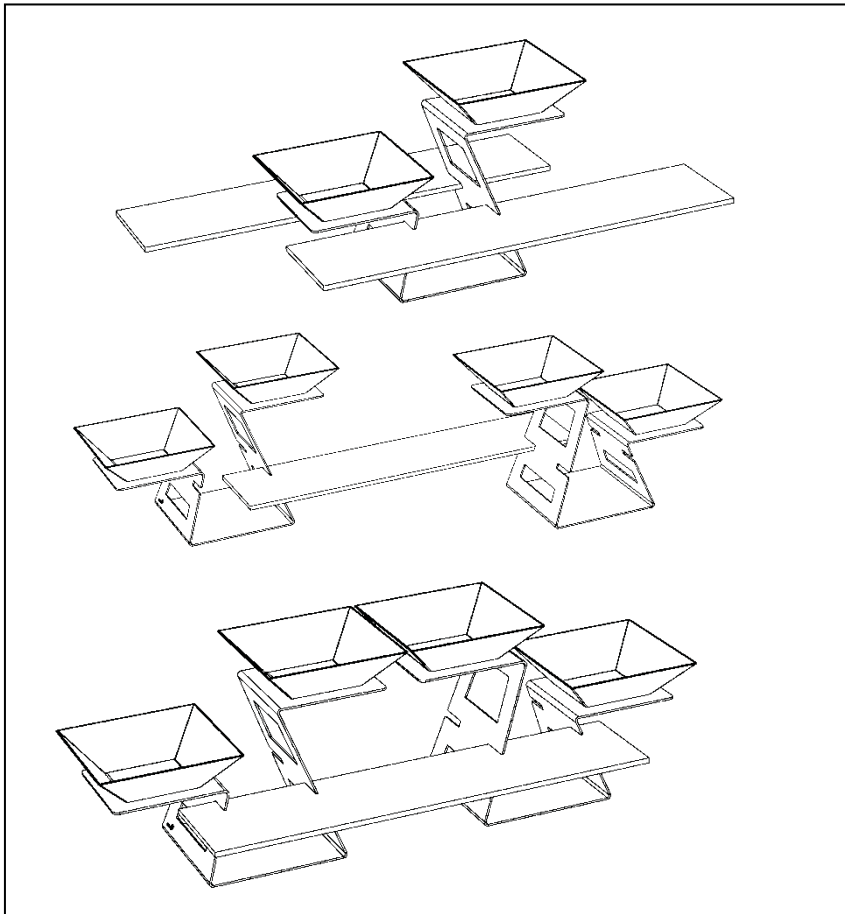
- Skycap™ Risers, Cart, and Surfaces



# RISERS



- Swan Riser System



- Comes with 2 porcelain dishes
- Highly innovative
- Varied accessories available
- Stand-alone centerpiece
- Can connect to a system
- Very stable, highly durable



# RISERS



- Honeycomb™ System



# CEREAL DISPENSERS



- Hygienic, greener option vs. boxes or jars
- Patented portion control mechanism
- Self-service, mix-your-own option



# BEVERAGE DISPENSERS



- Unique floating ice chamber feature
- Different capacities and shapes
- Can be dressed up to fit design theme



# BAKERY CASES



- Elegant-but-durable display cases
- Crystal clear panels
- Different finishes and price points



# BAKERY CASES



- Bakery Building Blocks

# WARMERS



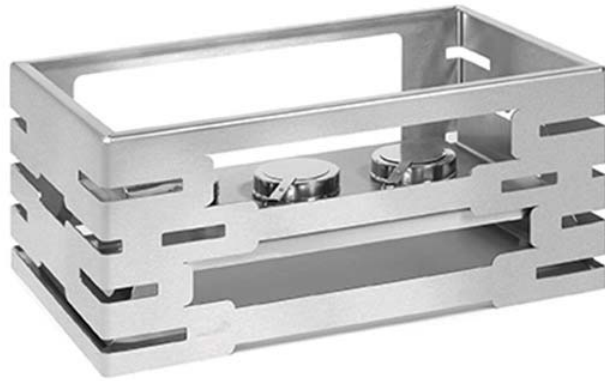
- Fastest-growing category
- Alternative to the unexciting chafing dish



# WARMERS



- Multi-Chef™



- Convertible insert gives 2 options for burner height
- Can be connected with Skycap™ multi-level risers
- Grill made of solid stainless steel
- Takes a standard Gastronome 1/1 pan
- \*Also available: Mini-Chef, fits portable butane burners

# WARMERS



• Multi-Chef™

- Accessories for serving, cooling and warming
- Available in 3 heights and 3 different finishes



# WARMERS



- Square, Round, and Hexagon Warmers



# COOLERS



- Elegant presentation for cold foods/drinks
- Easy to integrate
- Various shapes and sizes available



# LITEWARE COLLECTION



- Stylish line of disposable cups and dishes
- Perfect for small portions
- Quick set up and clean up



# BUFFET EQUIPMENT



# KEY POINTS



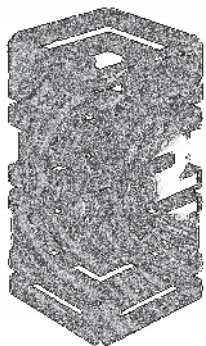
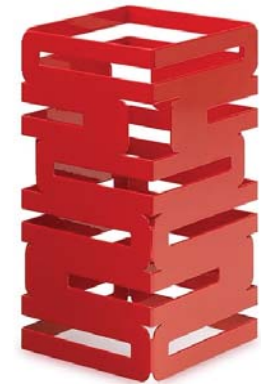
- Best VALUE FOR MONEY
- Built to be expanded – not replaced.
- Multiple functions and constant innovation
- Products for all standard sections of food service
- A wide range speaking the same design language
- Multiple finishes and materials
- Various price points and creative possibilities



# FINISHES AND MATERIALS



- Black Matte
- Black and Red
- Black and Walnut
- Brushed Stainless Steel
- White
- Bamboo
- Plus many more combinations!



# VENUES / MARKET SEGMENTS



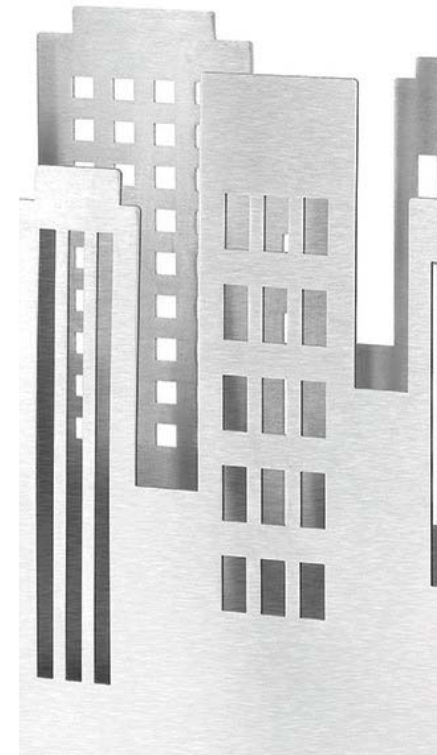
- Hotels
- Stadiums
- Convention Centers
- Golf Courses & Country Clubs
- Casinos
- Restaurants
- VIP Suites and Lounges
- Universities
- High-Profile Offices (Meeting/Break Rooms)
- Large Cafeterias



# APPROVED PREFERRED VENDOR STATUS



- Aramark
- DNC
- SODEXO
- Disney
- Compass Group
- Hilton
- Fairmont
- Swissotel
- Centerplate
- Plus many more!







Thank you!  
Any questions?



Available exclusively from Gilberts



# Rosseto® DISPENSERS



For dry foods such as:

- Cereals, Candy, Ice Cream Toppings
- Spices, Coffee, Tea, etc



# Rosseto® DISPENSERS



Keeps products fresh

- Contents are protected from exposure
- FIFO dispensing

Patented Portion Control

- Health benefits
- No wastage

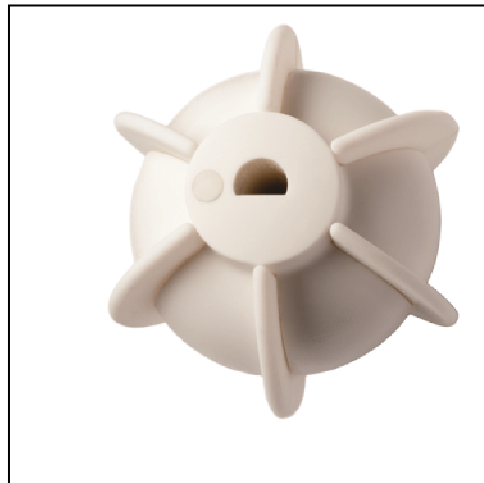


# Rosseto® DISPENSERS



## WHEEL OPTIONS:

- Vary for portion and content type
- 6-wing paddle wheel
- PRO6-SM
- Scoop-It™ series



# Rosseto® DISPENSERS



- Inventory Management
- Hygienic
- Easy to maintain (only 3 steps!)
- Aesthetic appeal
- Many different options



# KEY WORDS



- Convenient
- Hygienic
- Precise Portion Control
- FOOD COST - FOOD COST - FOOD COST
- Flexible
- Aesthetic Appeal
- Easy to Maintain
- Fun to use!



# EZ-PRO™ & EZ-SERV®



- Over 40 different options
- High-grade FDA-approved silicone wheels
- Wall-mount models come with at least 3 portion wheels per container
- Table-top models that can be easily set up and stored



# EZ-PRO™



- 0.9-gallon / 3.7-liter capacity
- Stainless steel lid options
- Space efficient, narrow design
- Versatile and practical
- NSF-certified models available
- 4 main parts



# EZ-SERV®



- Sleek, modern aesthetic

## Most capacity options:

- 0.65-gallon / 2.5 liters
  - 1.3-gallon / 4.9 liters
  - 2-gallon / 7.6 liters
  - 3.5-gallon / 13.25 liters
- 
- Reinforced handle hole
  - NSF-certification in progress



# Applications



- Ice Cream and Frozen Yogurt Shops
- Restaurants
- Theatres and other entertainment venues
- Sweet Shops
- Coffee Shops
- Tea Shops / Distributors
- Manufacturers: Ice Desert Toppings
- Bars / Waiting Areas
- Hotels with Breakfast Services
- Office and University Cafeterias
- Supermarkets



Thank you!  
Any questions?